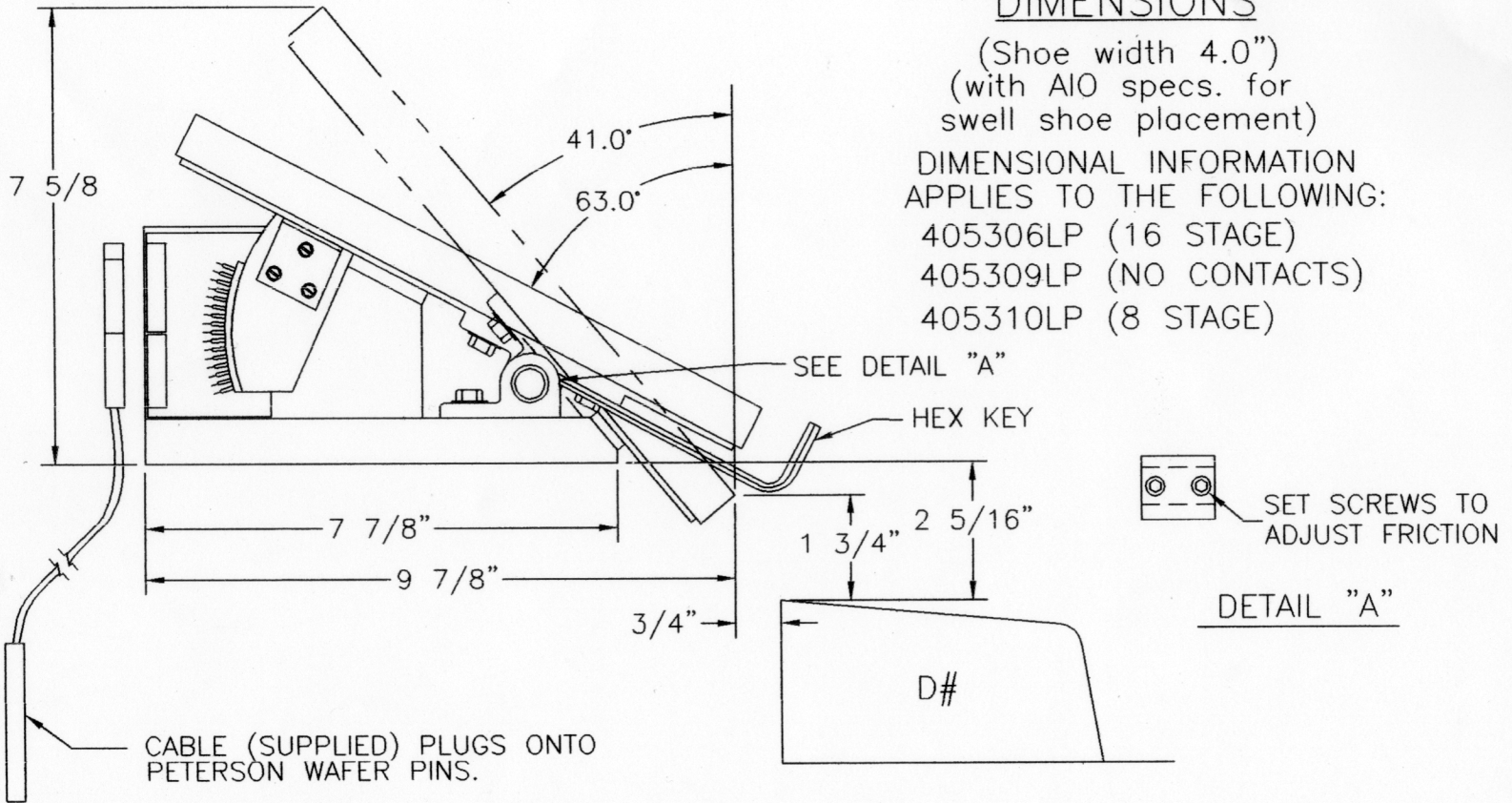


EXPRESSION SHOE DIMENSIONS

(Shoe width 4.0")
(with AIO specs. for
swell shoe placement)

DIMENSIONAL INFORMATION
APPLIES TO THE FOLLOWING:

- 405306LP (16 STAGE)
- 405309LP (NO CONTACTS)
- 405310LP (8 STAGE)



EACH REED SWITCH CONTACT
IS RATED AT 0.5 AMP. FOR
INDUCTIVE LOADS (COILS),
A FLYBACK DIODE MUST
BE USED.

UNLESS OTHERWISE SPECIFIED		BY	DATE
DIMENSIONS ARE IN INCHES - TOLERANCES:		DRAWN	JLF 8-98
DECIMAL	FRACTIONAL	CHK'D	SRP 11-98
.X=±.060	±1/64"	APP'D	
.XX=±.015	ANGULAR	ISSUE DATE	
.XXX=±.005	±1°		

peterson
ELECTRO - MUSICAL PRODUCTS INC. / ALSIP, ILLINOIS 60803

DRAWING, EXPRESSION SHOE,
DIMENSIONS LOW PROFILE VERSIONS

REV.	E.C.O.	DESCRIPTION	DATE\BY	DO NOT SCALE THIS DRAWING	MAT'L	SIZE	NO.	REV.
				FINISH	-	A	190371	-
REVISIONS						SCALE	N.T.S.	SHEET 1 OF 1